

Cable clamp, max. 20 cables KKS20 (OZ141)



For quick installation of cables on walls and ceilings using a setting tool/concrete nailer or screw / impact fastening.

Individual installation options allow for high flexibility, maximum time savings and the choice of fastening method on the construction site depending on the substrate:

Fastening option 1:

Conventional fastening with nail plug Ø6, screws (4.0x40 panhead screw is recommended) or plug-in dowel

Fastening option 2:

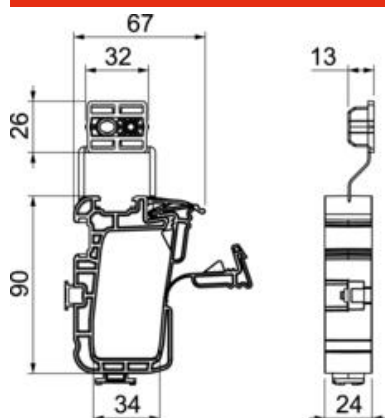
Direct fastening with setting tool/concrete nailer, e.g. from Spit, Bosch and Fischer (tool nose with an outer-Ø of 11 mm and an inner-Ø of 7 mm)



Master data

Item number	905013
Type	OZ141 KKS20 DUO
Description 1	Cable harness KKS 20
Brand	DQ
Dimension	20xNYM 3x1,5mm ²
Colour	Light grey; RAL 7035
Material	Polypropylene
PU1	100
Unit of quantity	Piece
Weight	2.8 kg
Weight unit	kg/100 pc.

Dimensions



Length	67 mm
Width	24 mm
Height	90 mm

Cable clamp, max. 20 cables KKS20 (OZ141)

Technical data

No. of conductors NYM 3 x 1.5	20
Flame-resistant version	no
Maintain electrical functions	no
Halogen-free	yes
With anchor	no
Suitable for direct fastening	yes