

## Cable clamp, max. 40 cables KKS40 (OZ142)



For quick installation of cables on walls and ceilings using a setting tool/concrete nailer or screw / impact fastening.

Individual installation options allow for high flexibility, maximum time savings and the choice of fastening method on the construction site depending on the substrate:

**Fastening option 1:**

Conventional fastening with nail plug Ø6, screws (4.0x40 panhead screw is recommended) or plug-in dowel

**Fastening option 2:**

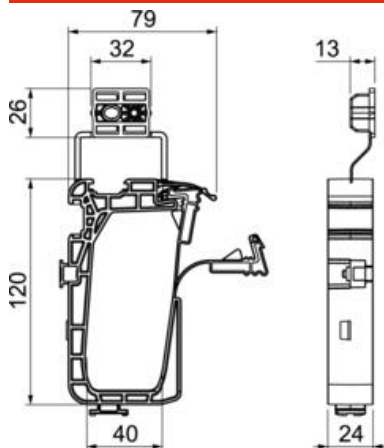
Direct fastening with setting tool/concrete nailer, e.g. from Spit, Bosch and Fischer (tool nose with an outer-Ø of 11 mm and an inner-Ø of 7 mm)



### Master data

Item number	905014
Type	OZ142 KKS40 DUO
Description 1	Cable harness KKS 40
Brand	DQ
Dimension	40xNYM 3x1,5mm <sup>2</sup>
Colour	Light grey; RAL 7035
Material	Polypropylene
PU1	50
Unit of quantity	Piece
Weight	4 kg
Weight unit	kg/100 pc.

### Dimensions



Length	67 mm
Width	24 mm
Height	120 mm

## Cable clamp, max. 40 cables KKS40 (OZ142)

### Technical data

No. of conductors NYM 3 x 1.5	40
Flame-resistant version	no
Maintain electrical functions	no
Halogen-free	yes
With anchor	no
Suitable for direct fastening	yes