

### Safely anchoring!

Do you want your fixtures to be safely anchored in concrete? The new Don Quichotte® - Nail anchor is the right choice!

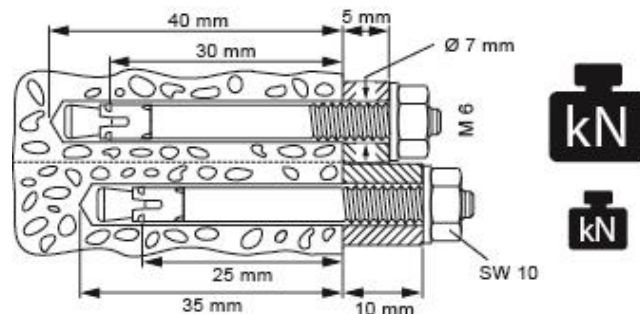
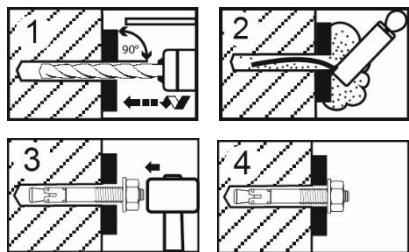
This nail anchor has been developed for the heavy duty sector and can therefore be used for the fastening and fixing of your cable supporting systems and metal cable clamps in cracked and smooth concrete.

You can easily install the anchor in a pre-drilled hole. It's not necessary to apply extra torque. The product anchors itself in the hole when forces are applied.

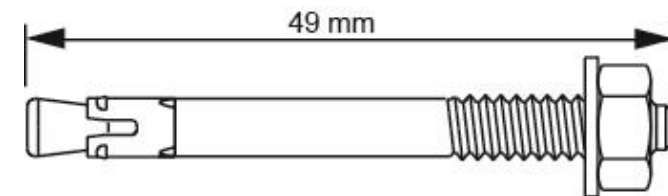
Due to its fire safety approval, The nail anchor is the product of choice for installing your fixtures safely!



Type	Article description	VPE (Pcs.)	Shipping carton (Boxes)	Article number
MZ096	Nail anchor M6*49mm	50	8	950127



Product attributes	
Material	Steel
Surface treatment	Galvanised
Thread	M6
Certificate	CE
Approval	ETA-11/2040



Requests or information:

[sales@don-quichotte.nl](mailto:sales@don-quichotte.nl)

+31 492 74 50 00

Don Quichotte B.V.  
Gerstdijk 17  
5704 RG Helmond  
The Netherlands

[www.don-quichotte.com](http://www.don-quichotte.com)