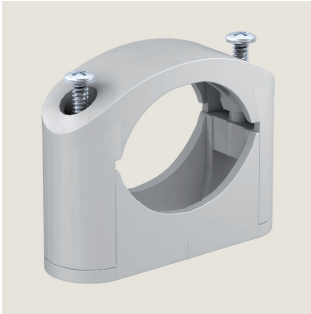


## Cable fastening clip



### Charateristics

- **Material clip** Polystyrene
- **Material screw** Electrogalvanized steel
- **Screw** Cross recess PH
- **Operating temperature** -25°C up to +60°C
- **Colour** RAL 7035, light grey

### Application:

The cable fastening clip can be used for accurate mounting of flexible or rigid tubes as well as cables. Simply mount the base part on a wall or ceiling and fixate the tube or cable by screwing on the top part. Small mounting correction through slot possible.

### Cable fastening clip (CC017)

| Type               | Tube ø     | Contents PU pcs | Weight per PU kg | Shipping box PU | GTIN          | Item No.      |
|--------------------|------------|-----------------|------------------|-----------------|---------------|---------------|
| <b>CC017 5-13</b>  | 5 – 13 mm  | 50              | 0,3779           | 12              | 8713678038276 | <b>903827</b> |
| <b>CC017 10-17</b> | 10 – 17 mm | 50              | 0,4332           | 18              | 8713678038283 | <b>903828</b> |
| <b>CC017 18-28</b> | 18 – 28 mm | 25              | 0,4019           | 12              | 8713678038290 | <b>903829</b> |
| <b>CC017 28-41</b> | 28 – 41 mm | 25              | 0,560075         | 12              | 8713678038306 | <b>903830</b> |

